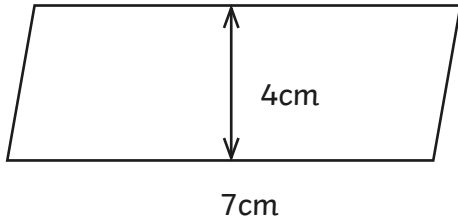


Area of Parallelograms

I can calculate the area of a parallelogram.

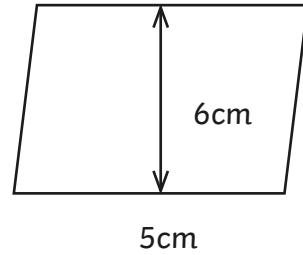
Calculate the area of each parallelogram.

1.



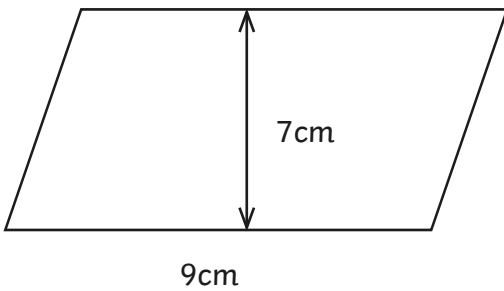
Area =

2.



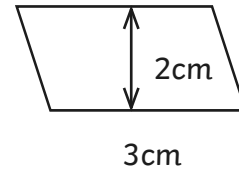
Area =

3.



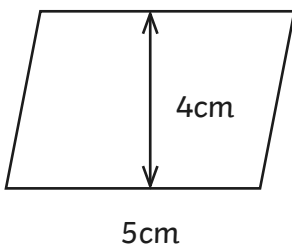
Area =

4.



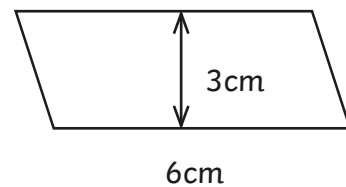
Area =

5.



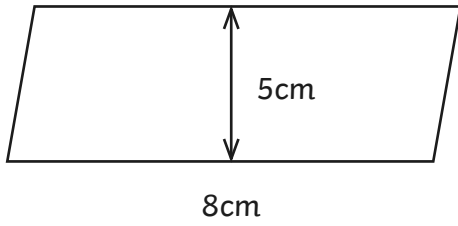
Area =

6.



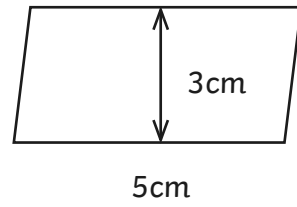
Area =

7.



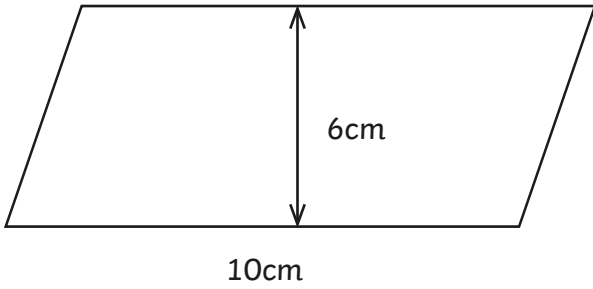
Area =

8.



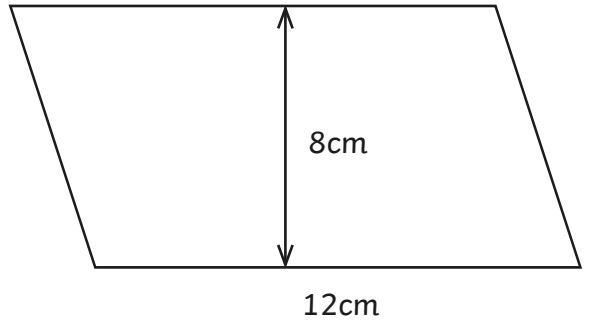
Area =

9.



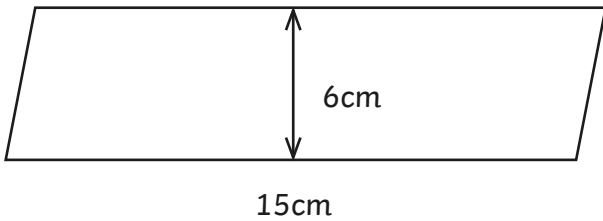
Area =

10.



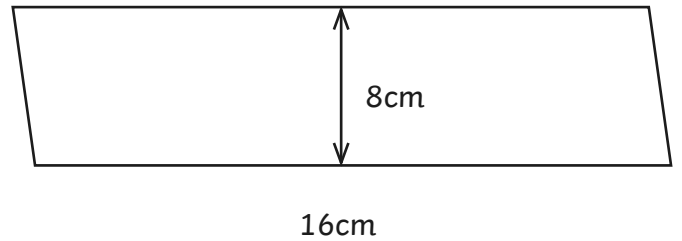
Area =

11.



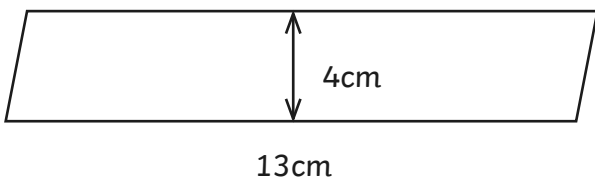
Area =

12.



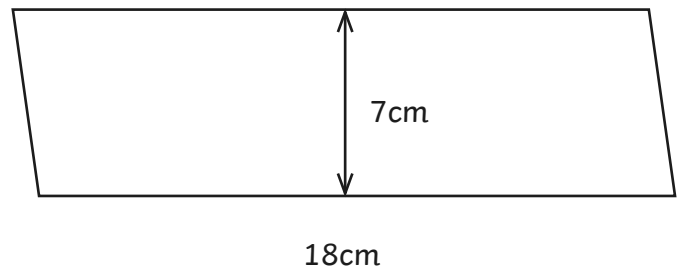
Area =

13.

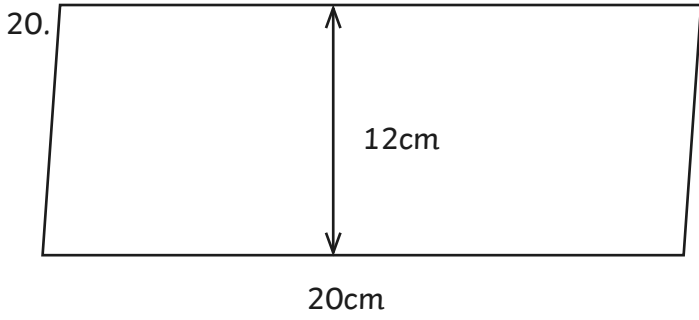


Area =

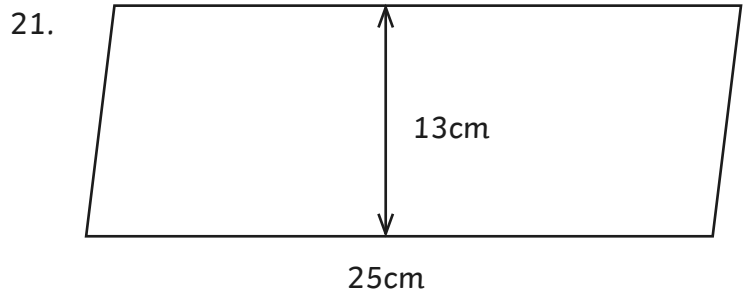
14.



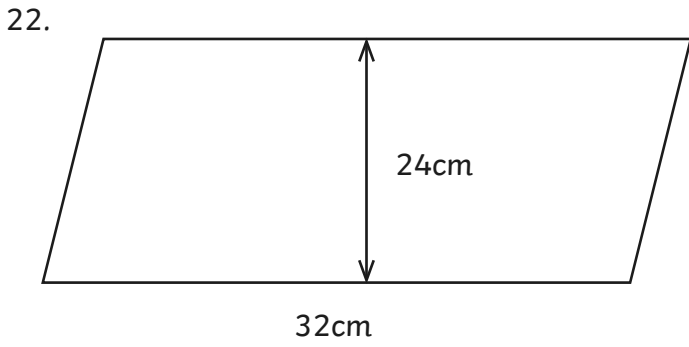
Area =



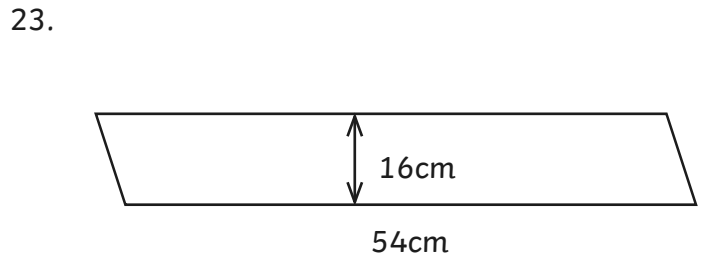
Area =



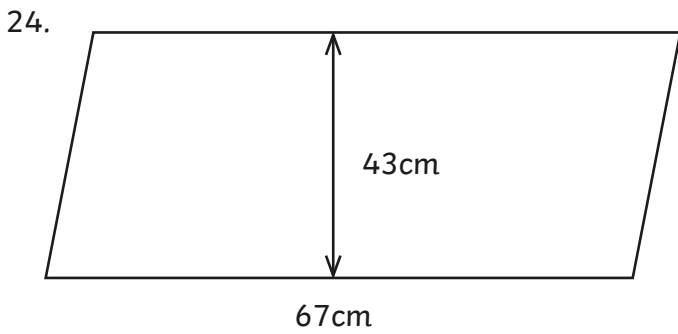
Area =



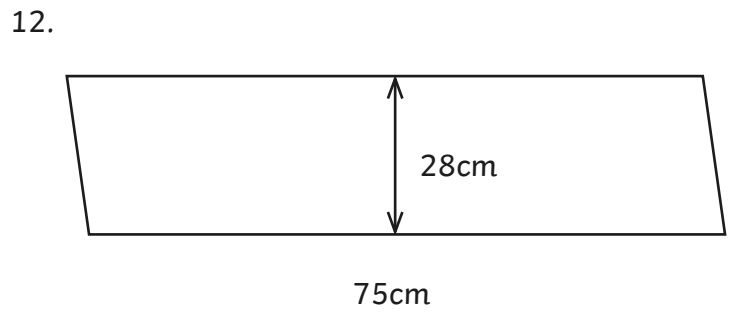
Area =



Area =



Area =



Area =

Area of Parallelograms Answers

Calculate the area of each parallelogram.

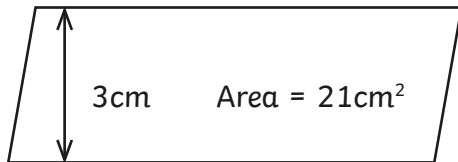
Number	Answer
1.	28cm^2
2.	30cm^2
3.	63cm^2
4.	6cm^2
5.	20cm^2
6.	18cm^2
7.	40cm^2
8.	15cm^2
9.	60cm^2
10.	96cm^2
11.	90cm^2
12.	128cm^2
13.	52cm^2
14.	126cm^2
15.	240cm^2
16.	325cm^2
17.	768cm^2
18.	864cm^2
19.	2881cm^2
20.	2100cm^2

Area of Parallelograms

I can calculate the area of a parallelogram.

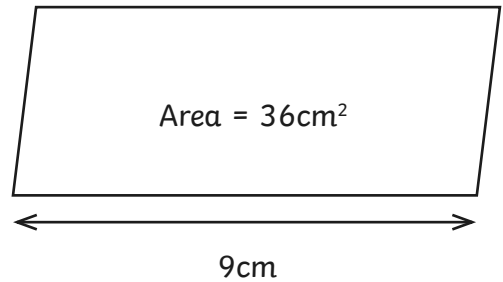
Calculate the base or height of each parallelogram from the measurements given.

1.



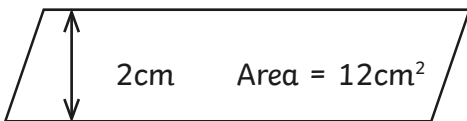
Base =

2.



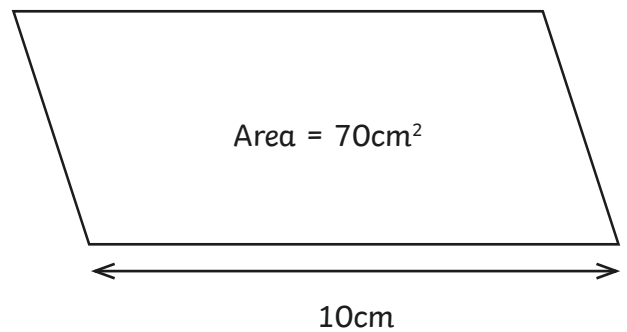
Height =

3.



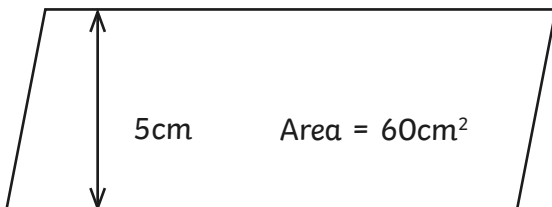
Base =

4.



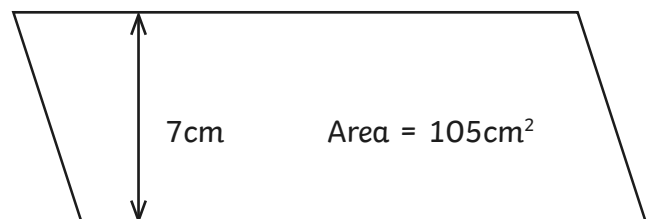
Height =

5.



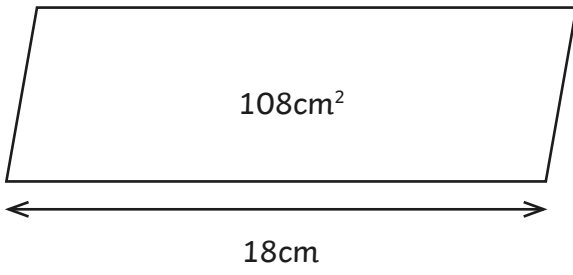
Base =

6.



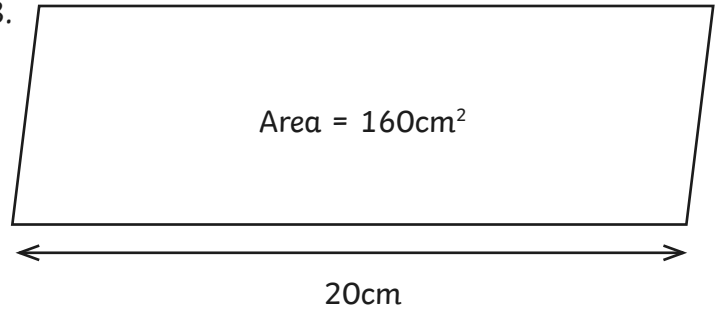
Base =

7.



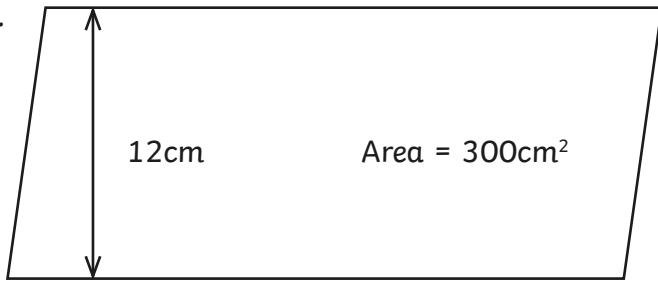
Height =

8.



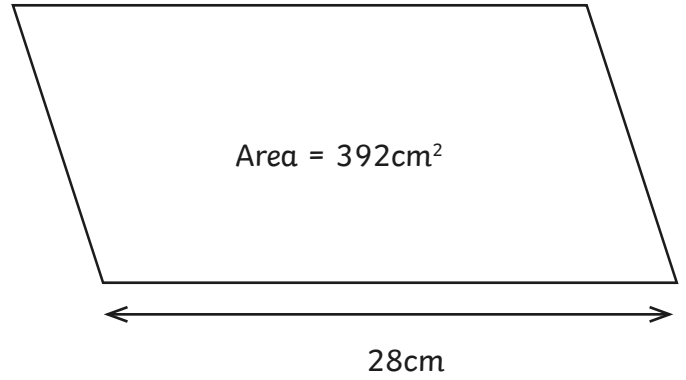
Height =

9.



Base =

10.



Height =

Area of Parallelograms Answers

Calculate the base or height of each parallelogram from the measurements given.

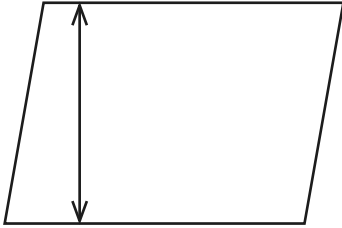
Number	Answer
1.	Base = 7cm
2.	Height = 4cm
3.	Base = 6cm
4.	Height = 7cm
5.	Base = 12cm
6.	Base = 15cm
7.	Height = 6cm
8.	Height = 8cm
9.	Base = 25cm
10.	Height = 14cm

Area of Parallelograms

I can measure accurately and calculate the area of a parallelogram.

Measure the base and height and calculate the area of each parallelogram.

1.



Area =

2.



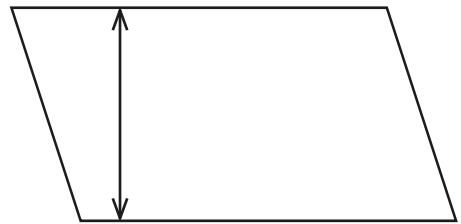
Area =

3.



Area =

4.



Area =

5.

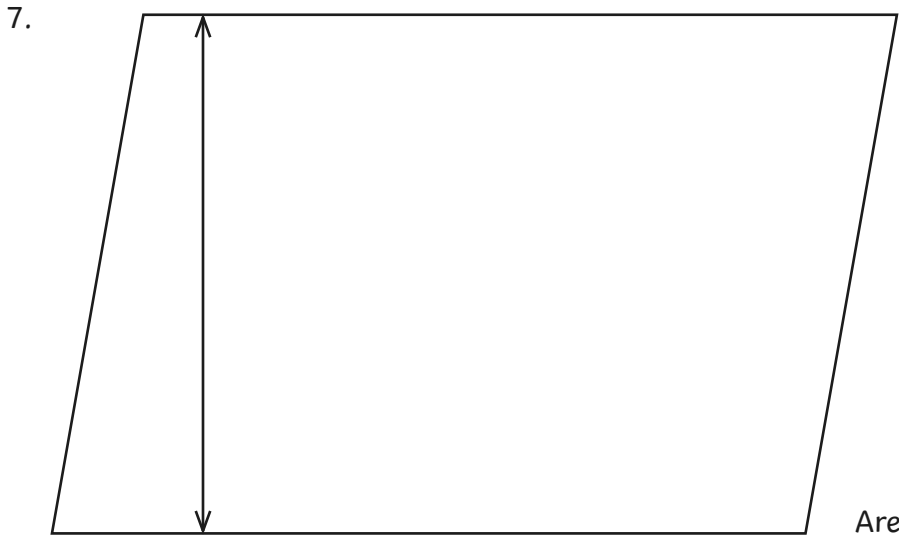


Area =

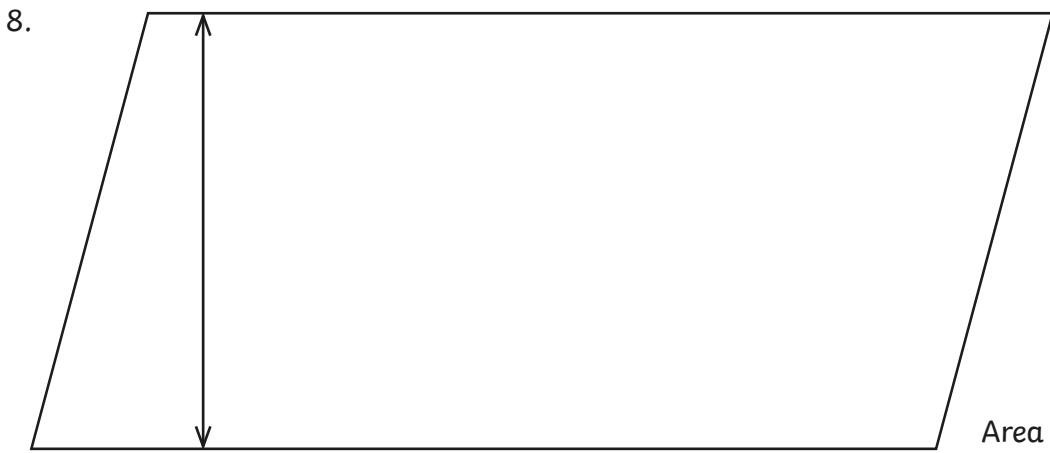
6.



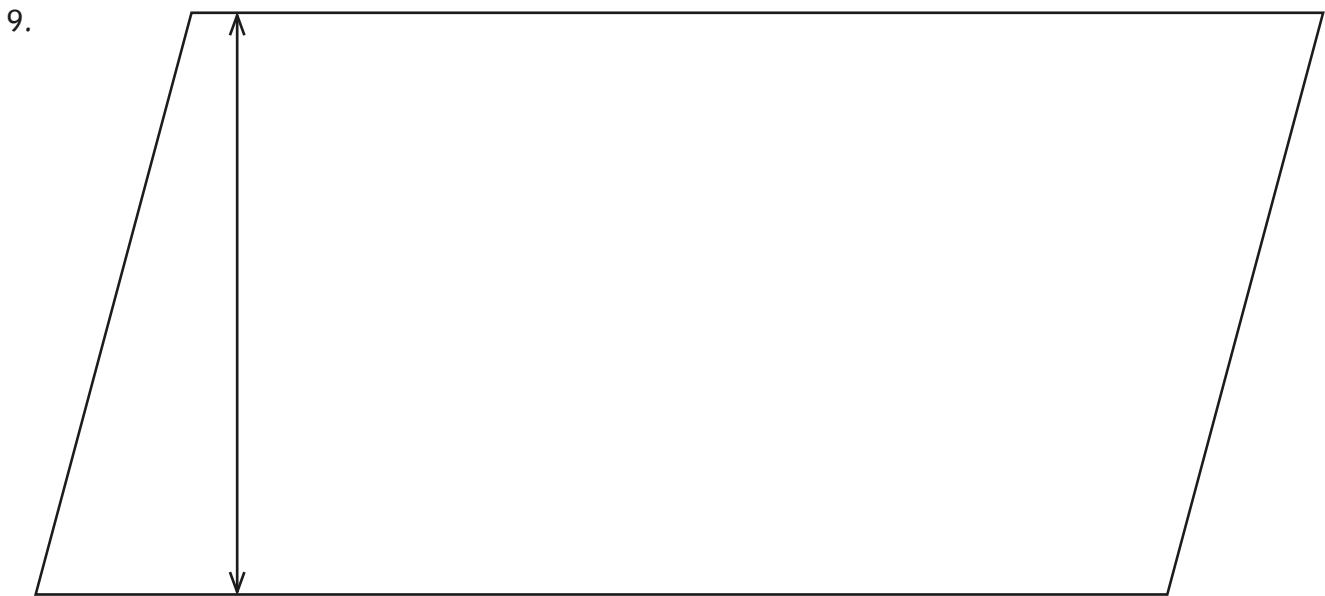
Area =



Area =

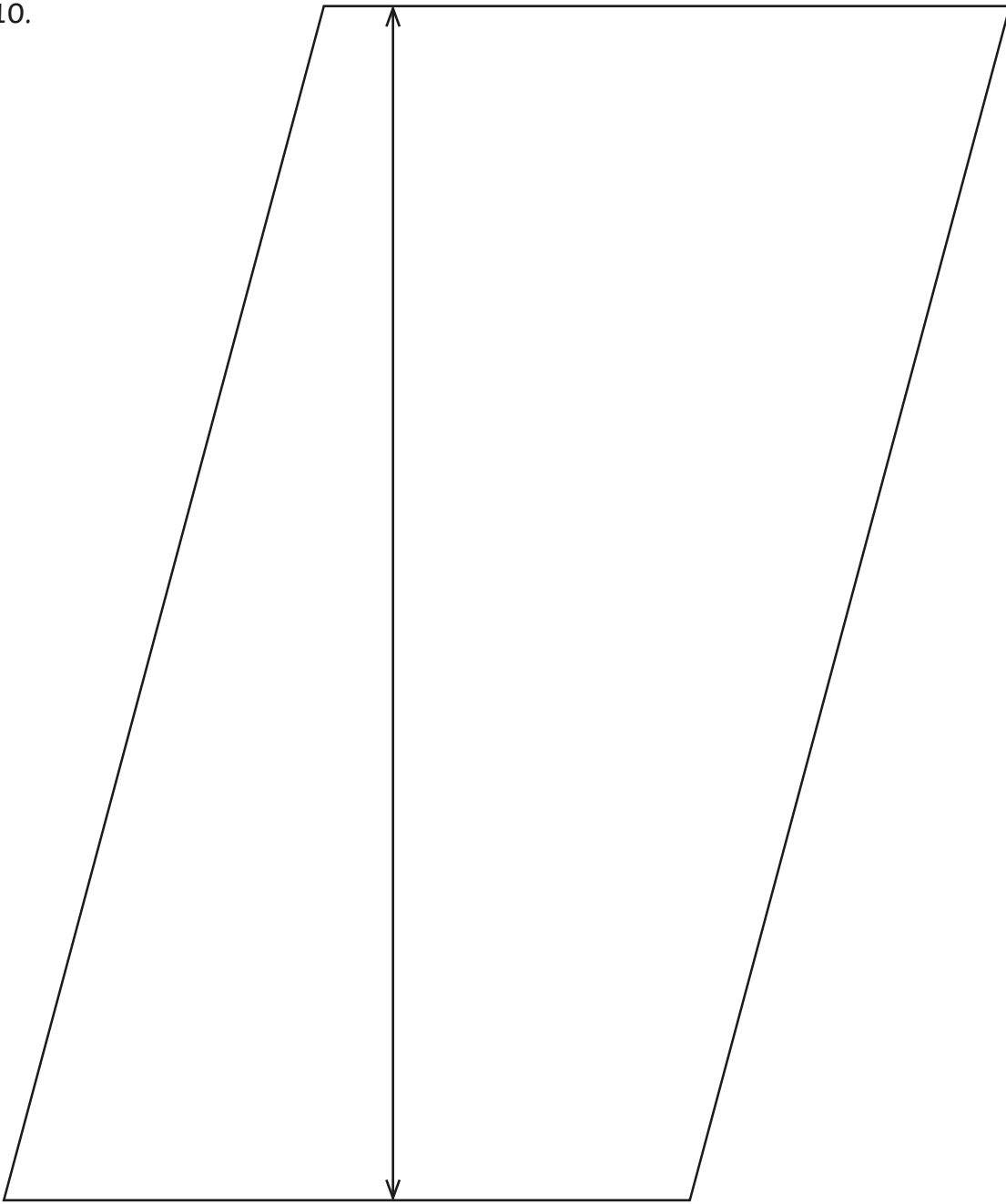


Area =



Area =

10.



Area =

Area of Parallelograms Answers

Measure the base and height and calculate the area of each parallelogram.

Number	Answer
1.	12cm^2
2.	24cm^2
3.	14cm^2
4.	15cm^2
5.	32cm^2
6.	54cm^2
7.	70cm^2
8.	72cm^2
9.	120cm^2
10.	180cm^2